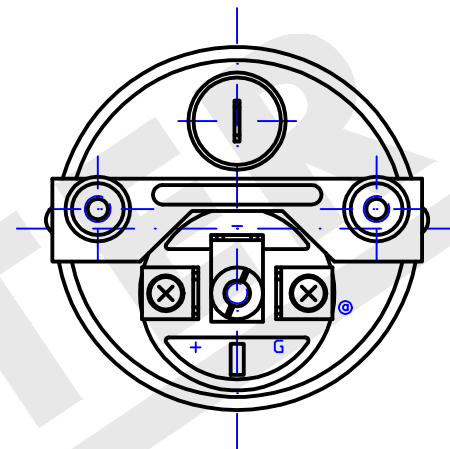
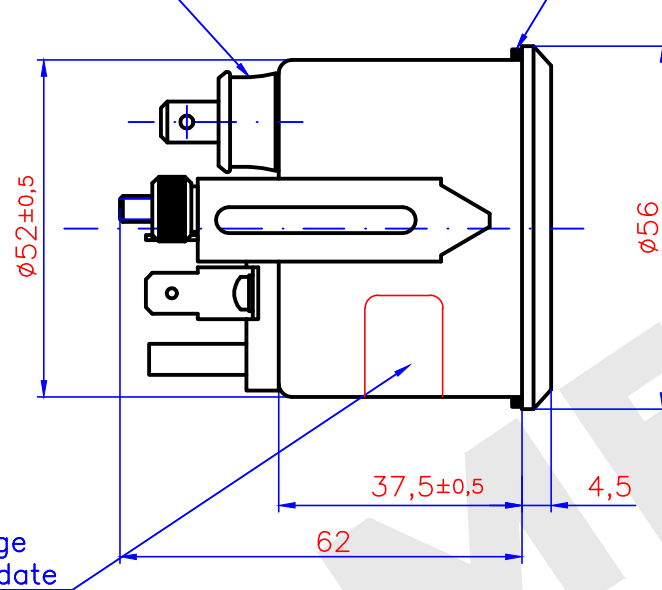
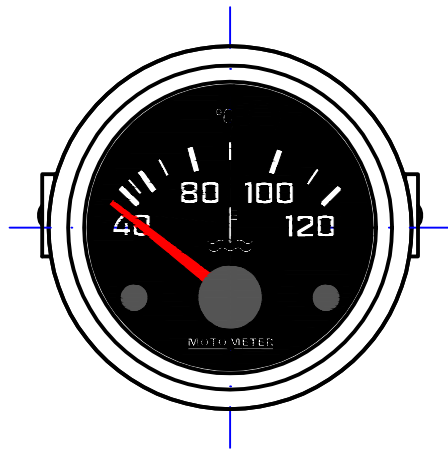


clamp pipe covered with insulating tubing

gasket



part number  
nominal voltage  
manufacture date

testing value table (operating values)

scale (°C)	40	80	100	120
compared resistance (Ω)	287.4	69.1	38.5	22.7
deflection angle (°)	0	30	64	90

- front ring : triangular black RAL 9005
- dial face : ground black RAL 9005
- pointer : imprint white RAL 9010
- pointercenter : red
- pointercenter : black RAL 9005
- glas panel : plano, anti-reflection
- housing : chromated
- bracket : chromated
- knurled nut : chromated
- range : 40 ... 120°C
- scale tolerance : ±4% of total measuring range  
at +20°C and testing voltage of 13.8V
- nominal voltage : 12V
- operating voltage : 10.5 ... 15.0V
- illumination : bulb 12V 2W BA9S
- operating temperature : -25 ... +65°C
- storage temperature : -40 ... +65°C (max. 90°C max. 1h)
- electrical connection : blade terminal A 6.3x0.8 DIN 46244
- protection level : IP54
- marking : connection diagram at the housing

- connection diagram
- G : sensor
  - + : voltage
  - : ground

E2	⊗	electrical connection changed	26.02.16	Aug
pos.	ind.	kind of modification	date	name

<b>MOTOMETER</b>	date	01.09.15
	sig.	Augustin
	rev.	
for dimensions without tolerance	pass.	
indication: DIN ISO 2768 mittel		
customer number:		

description:  
**Temperature gauge**  
ø52mm 12V

scale:	drawing number:
-	641 111 1048