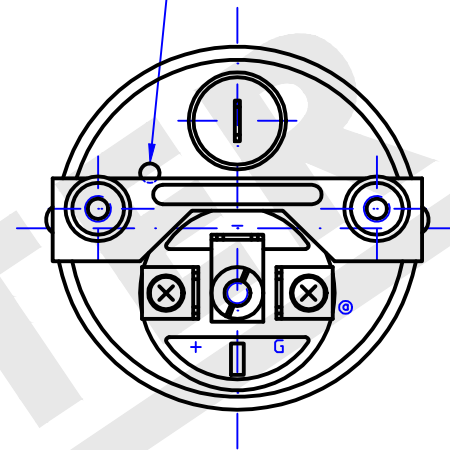
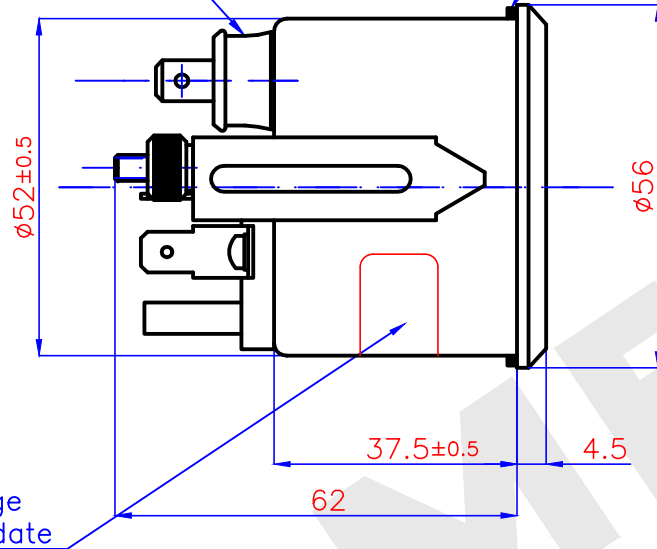
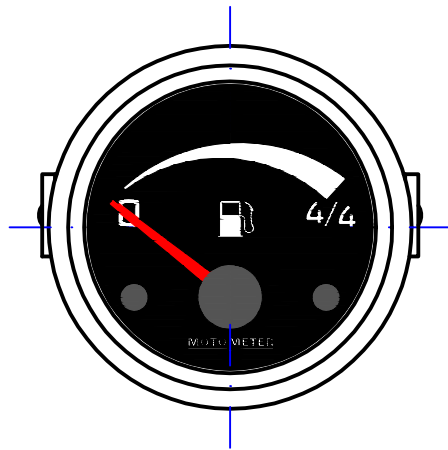


clamp pipe covered with insulating tubing

gasket

adjusting screw



part number
nominal voltage
manufacture date

testing value table (operating values)

scale	empty	full
compared resistance (Ω)	65.7*	0.5
deflection angle ($^\circ$)	0	90

* justable with adjustment screw on each empty value between 60 ... 90 Ohm

- front ring : triangular black RAL 9005
- dial face : ground black RAL 9005
- pointer : imprint white RAL 9010
- pointercenter : red
- pointercenrer : black RAL 9005
- glas panel : plano, anti-reflection
- housing : chromated
- bracket : chromated
- knurled nut : chromated
- range : 0 ... 4/4
- scale tolerance : $\pm 4\%$ of total measuring range
at +20°C and testing voltage of 13.8V
- nominal voltage : 12V
- operating voltage : 10.5 ... 15.0V
- illumination : bulb 12V 2W BA9S
- operating temperature : -25 ... +65°C
- storage temperature : -40 ... +65°C (max. 90°C max. 1h)
- electrical connection : blade terminal A 6.3x0.8 DIN 46244
- protection level : IP54
- marking : connection diagramm at the housing

- connection diagramm
- G : sensor
 - + : voltage
 - : ground

E2	⊕	electrical connector changed	08.06.16	Aug
pos.	ind.	kind of modification	date	name

MOTOMETER	date	01.09.15
	sig.	Augustin
	rev.	

for dimensions without tolerance	pass.
indication: DIN ISO 2768 mittel	

customer number:

description:
Fuel gauge
ø52mm 12V

scale:	drawing number:
-	609 104 1001