

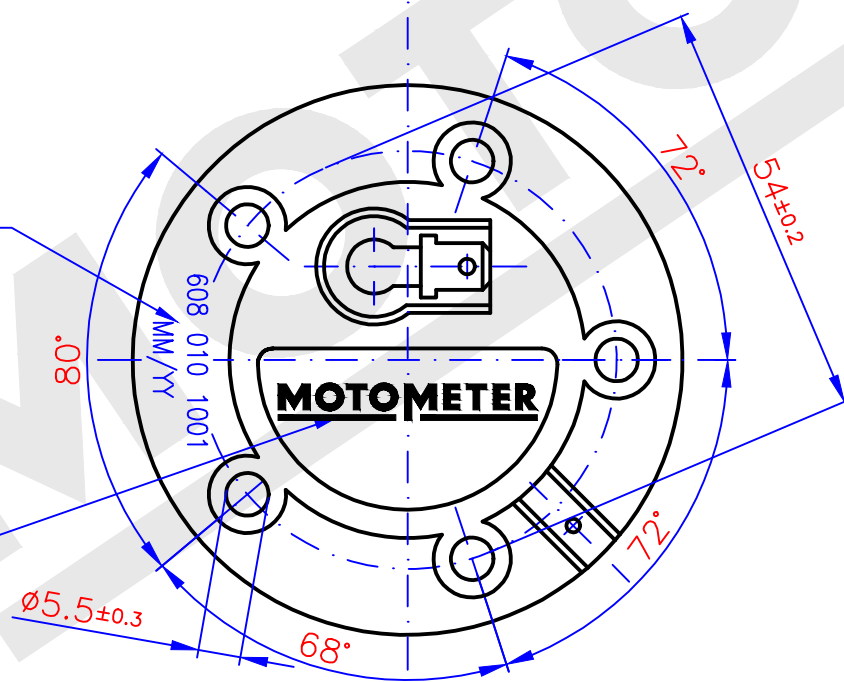
housing : alloy
 nominal voltage : 12V
 operating voltage : 6 ... 24V
 operating temperature : -25 ... +70°C
 storage temperature : -30 ... +70°C
 electrical connection : blade terminal A 6,3x0.8 DIN 46244
 marking : part number, manufacture date (MM/YY),
 MM-logo fixed at housing
 included : rubber seal @
 mounting at the tank according connection A DIN 75 612

testing value table

	empty	full
compared resistance [Ω]	61.3±2,1	2.3±0,7

part number
date (month/year)

logo



tolerance arbitrary partition
to each other ±0.5°

E2	© cork seal removed	14.02.22	Aug
Pos.	Ind. Art der Änderung	Datum	Name

MOTOMETER	date	02.06.18
	sig.	U.Augustin
	rev.	
for dimensions without tolerance indication: DIN ISO 2768 mittel	pass.	

customer number:

description:
fuel level sensor
PCD $\varnothing 54$ 131.5mm

scale:	drawing number:
-	608 010 1001