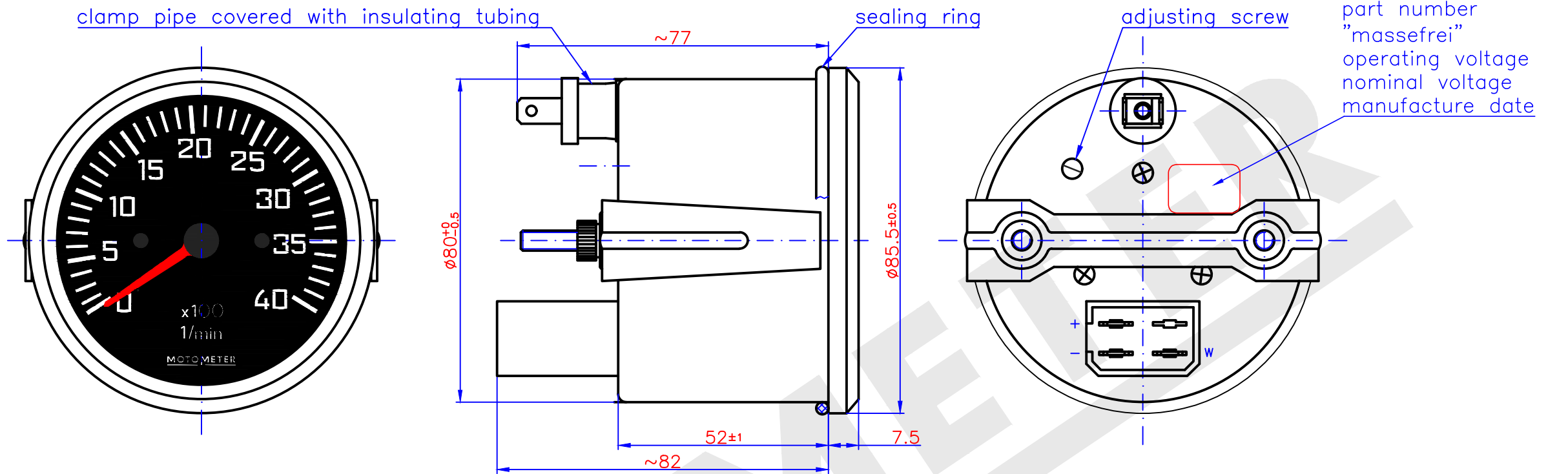


8 7 6 5 4 3 2 1



testing value table (operating values)

scale [rpm]	500±80	2000±80	3500±80
frequency [Hz]	100	400	700

- front ring : triangular black
- bezel ring : black
- dial face : ground black  
imprint white
- pointer : red
- pointercenter : black
- glas panel : plano@
- housing : chromated
- bracket : chromated
- knurled nut : chromated
- operating voltage : 11 ... 28V
- range : 0 ... 4000 rpm
- scale tolerance : 2.0% of scale terminal value at the  
complete range at 25±5°C
- input signal : clamp W
- illumination : bulb 24V 2W BA 9S
- electrical connection : blade terminal A 6.3x0.8 DIN 46248
- operating temperature: -20 ... +50°C
- markings : part number, nominal voltage, manufacture date  
and connection diagram fixed at housing

connection diagramm

- +: cl. 15
- : cl. 31
- W: signal

B7	⊙	"anti-reflection" removed	22.02.21	Aug
pos.		ind. kind of modification	date	name

<b>MOTOMETER</b>	date	12.10.21
	sig.	U.Augustin
	rev.	
for dimensions without tolerance indication: DIN ISO 2768 mittel	pass.	
customer number:		
description:		
tachometer ø80mm 12/24V off earth		
scale:	drawing number:	
-	646 083 1002	

8 7 6 5 4 3 2 1