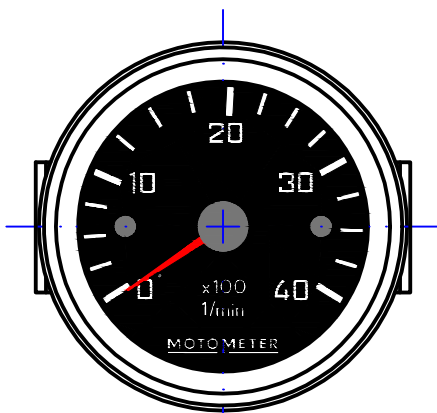


clamp pipe covered with insulating tubing

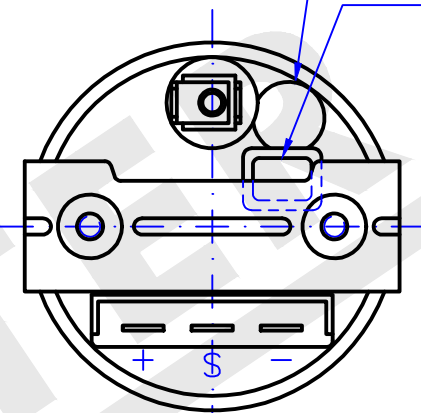
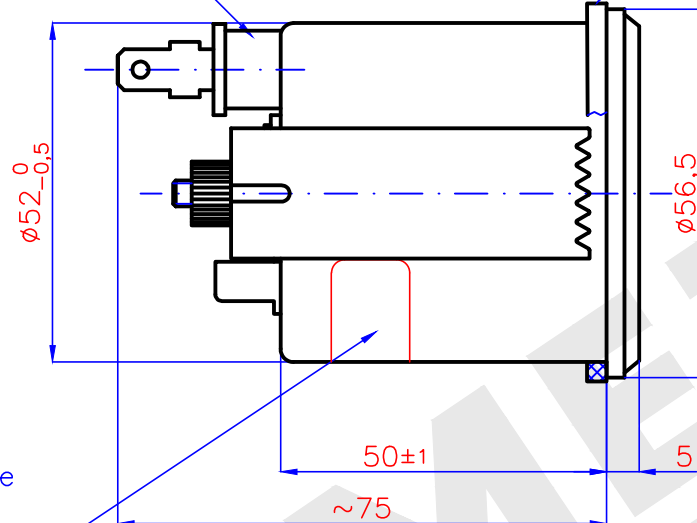
sealing ring

adjusting screw

DIP-switch



part number
"massefrei"
operating voltage
nominal voltage
manufacture date



testing value table (operating values)

scale [rpm]	1000	2000	4000
frequency [Hz]	50	100	200

- front ring : triangular black
- bezel ring : black
- dial face : ground black
imprint white
- pointer : red
- pointercenter : black
- glas panel : plano, anti-reflection
- housing : chromated
- bracket : chromated
- knurled nut : chromated
- operating voltage : 11 ... 28V
- range : 0 ... 4000 rpm
- scale tolerance : 2.0% of scale terminal value at the complete range at 25±5°C
- input signal : clamp W, ignition
- illumination : bulb 24V 2W BA 7S
- electrical connection : blade terminal A 6.3x0.8 DIN 46248
- operating temperature: -20 ... +50°C
- markings : part number, nominal voltage
manufacture date and connection diagram
fixed at housing

switch ON	frequency [Hz] at 1000 rpm
cl. 1	
1	33
1+3	50
1+2	66
cl. W	
-	133
3	200
2	266

connection diagram
+ : cl. 15
S : signal
- : cl. 31

pos.	ind.	kind of modification	date	name

MOTOMETER	date	08.09.19
	sig.	U.Augustin
	rev.	
for dimensions without tolerance	pass.	
indication: DIN ISO 2768 mittel		

customer number:

description:
tachometer
ø52mm 12/24V off earth

scale:	drawing number:
-	646 053 0001