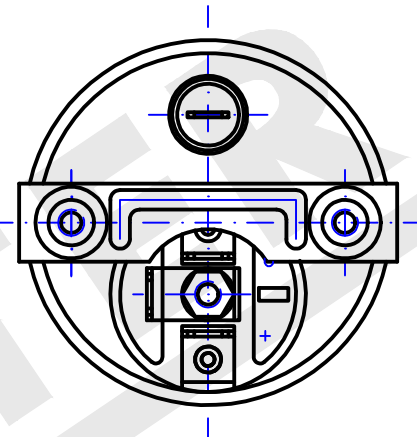
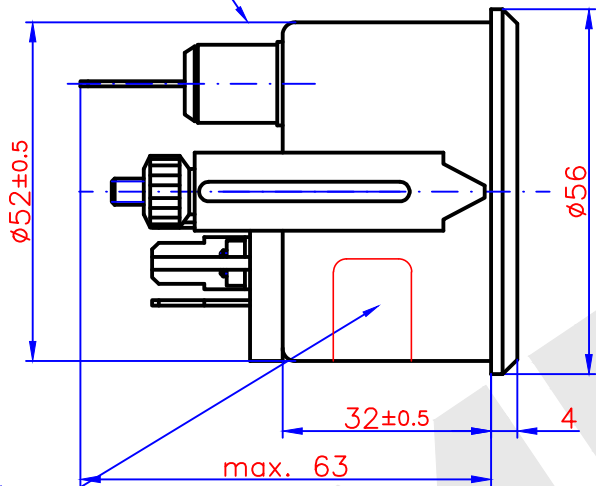


clamp pipe covered with insulating tubing



part number  
nominal voltage  
manufacture date

testing value table (operating values)

scale [°C]	50	90	120	150
compared resistance [Ω]	322.8	83.0	36.5	18.6
defelction angle [°]	0	22	63	90

- front ring : triangular black RAL 9005
- dial face : ground black RAL 9005
- : imprint white RAL 9010
- pointer : red MM 317
- pointercenter : black RAL 9005
- glas panel : plano, anti-reflection
- housing : chromated
- bracket : chromated
- knurled nut : chromated
- range : 50 ... 150°C
- scale tolerance : ±3.6° in the upper two-thirds of measuring range  
at +20°C and testing voltage of 25.4V
- nominal voltage : 24V
- operating voltage : 20.0 ... 28.0V
- illumination : bulb 24V 3W BA 7S
- operating temperature : -25 ... +60°C
- storage temperature : -40 ... +65°C (max. 90°C max. 1h)
- plug-and socket-connection : blade terminal A 6.3x0.8 DIN 46244
- protection level : IP54
- marking : connection diagramm at the housing

- connection diagramm
- G : sensor
  - + : voltage
  - : ground

pos.	ind.	kind of modification	date	name

<b>MOTOMETER</b>	date	06.06.13
	sig.	Augustin
	rev.	
for dimensions without tolerance indication: DIN ISO 2768 mittel	pass.	

customer number:

description:  
**temperature gauge**  
50 ... 150°C ø52mm

scale:	drawing number:
-	641 011 1044