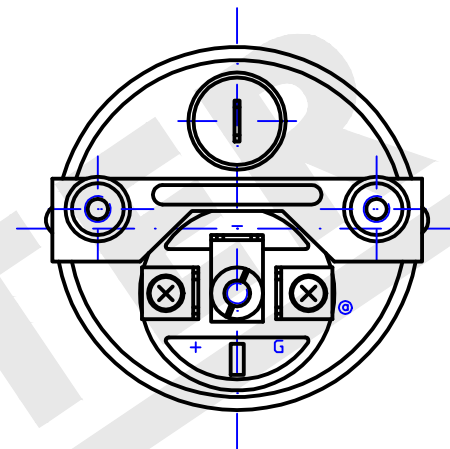
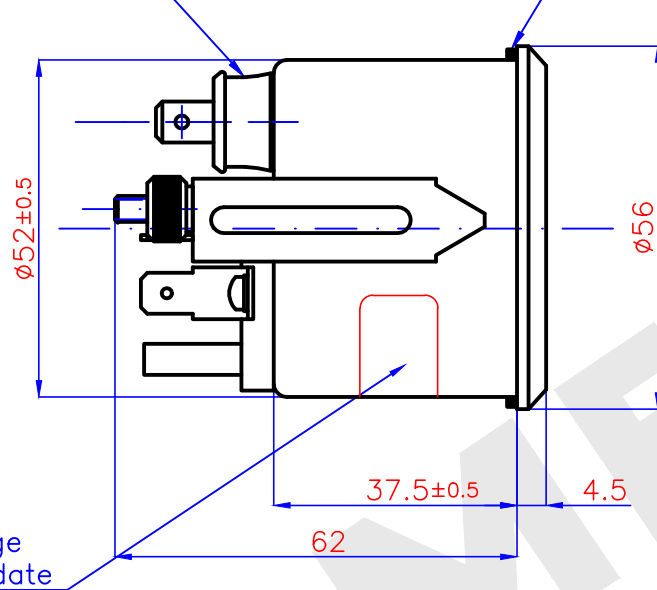
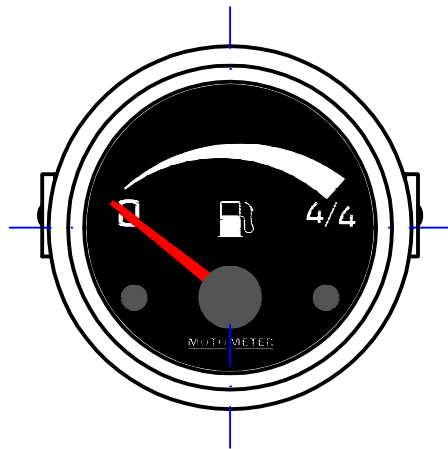


clamp pipe covered with insulating tubing

gasket



part number  
nominal voltage  
manufacture date

testing value table (operating values)

scale	empty	full
compared resistance ( $\Omega$ )	$3 \pm 3$	$180 \pm \frac{12}{2}$
deflection angle ( $^\circ$ )	0	90

- front ring : triangular black RAL 9005
- dial face : ground black RAL 9005
- pointer : imprint white RAL 9010
- pointercenter : red
- pointercenrer : black RAL 9005
- glas panel : plano, anti-reflection
- housing : chromated
- bracket : chromated
- knurled nut : chromated
- range : 0 ... 4/4
- scale tolerance :  $\pm 4\%$  of total measuring range  
at +20°C and testing voltage of 26.0V
- nominal voltage : 24V
- operating voltage : 22.0 ... 27.0V
- illumination : bulb 24V 2W BA9S
- operating temperature : -25 ... +65°C
- storage temperature : -40 ... +65°C (max. 90°C max. 1h)
- electrical connection : blade terminal A 6.3x0.8 DIN 46244
- protection level : IP54
- marking : connection diagramm at the housing

- connection diagramm
- G : sensor
  - + : voltage
  - : ground

E2	ind.	kind of modification	date	name
	Ⓢ	electrical connector changed	08.06.16	Aug

<b>MOTOMETER</b>	date	20.10.15
	sig.	Augustin
	rev.	
for dimensions without tolerance	pass.	
indication: DIN ISO 2768 mittel		
customer number:		

description:  
**Fuel gauge**  
**ø52mm 24V**

scale:	drawing number:
-	609 103 1021