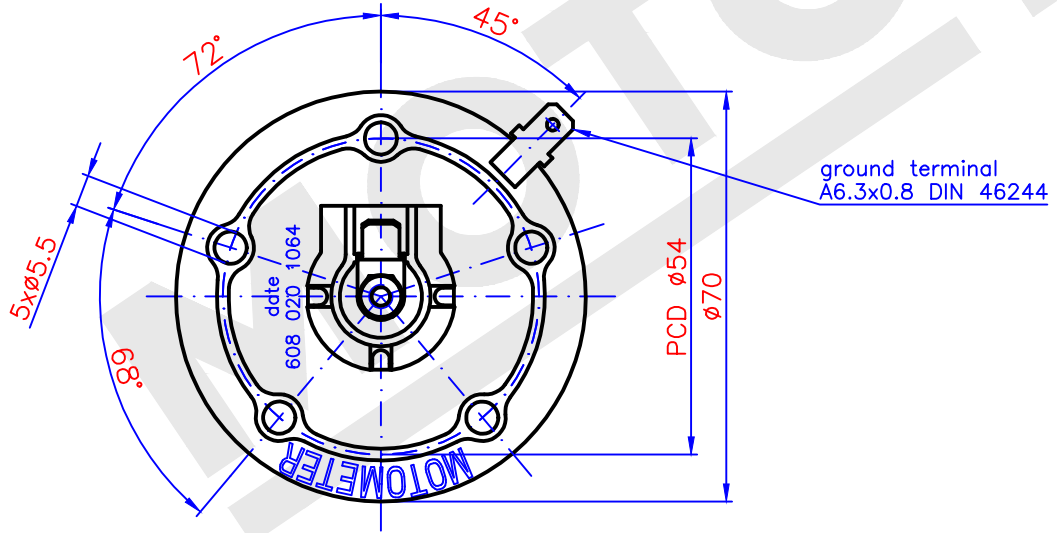
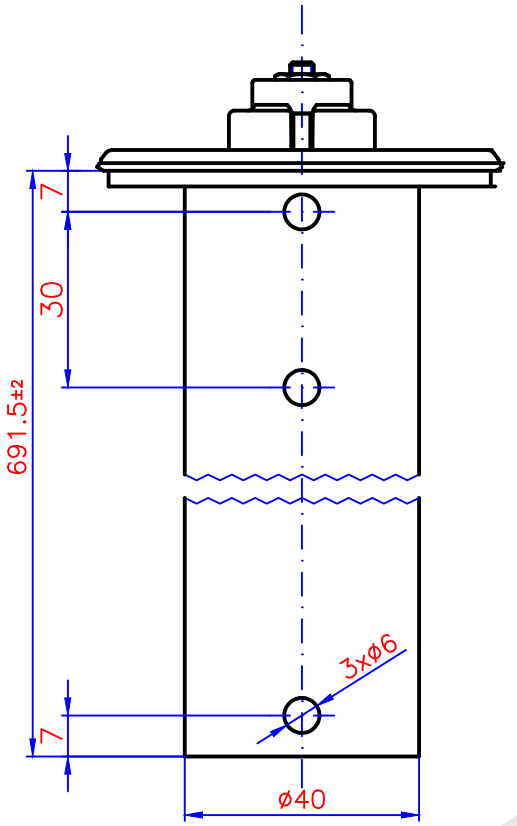


8 7 6 5 4 3 2 1



nominal load :  $P_{max}=300mW$   
 operating temperature :  $-40 \dots +85^{\circ}C$  (max.  $95^{\circ}C$  max 1h)  
 usefull for : diesel (DIN EN 590)  
                   : arctic diesel  
                   : RME (DIN V 51606)  
 with additives of : gasoline  
                       : kerosine  
                       : methanol  
                       : ethanol  
 marking : part number, manufacture date, MM–logo  
 material : stainless steel 1.4401  
 electrical connection : blade terminal A 6,3x0,8 DIN 46244 with hexagon nut  
 installing diameter :  $43\pm 1mm$   
 included : rubber seal  
 mounting at the tank according connection A DIN 75612

testing value table@  
(operating values)

H [mm]	R [Ω]
>646	0.4
646	2.6
625	4.8
604	7.0
583	9.2
562	11.4
541	13.6
520	15.8
499	18.0
478	20.2
457	22.4
436	24.6
415	26.8
394	29.0
373	31.2
352	33.4
331	35.6
310	37.8
289	40.0
268	42.2
247	44.4
226	46.6
205	48.8
184	51.0
163	53.2
142	55.4
121	57.6
100	59.8
79	62.0
58	64.2
43	66.4
tolerances	
±5.0	$\varnothing(1.0+1.5\%)$

A3-D4	⊙	value table added	18.01.18	Aug
pos.	ind.	kind of modification	date	name

<b>MOTOMETER</b>	date	04.01.18
	sig.	U.Augustin
	rev.	
for dimensions without tolerance indication: DIN ISO 2768 mittel	pass.	

customer number:

description

**fuel level sensor**

PCD  $\varnothing 54$  691.5mm

scale

drawing number:

**608 020 1064**

8 7 6 5 4 3 2 1