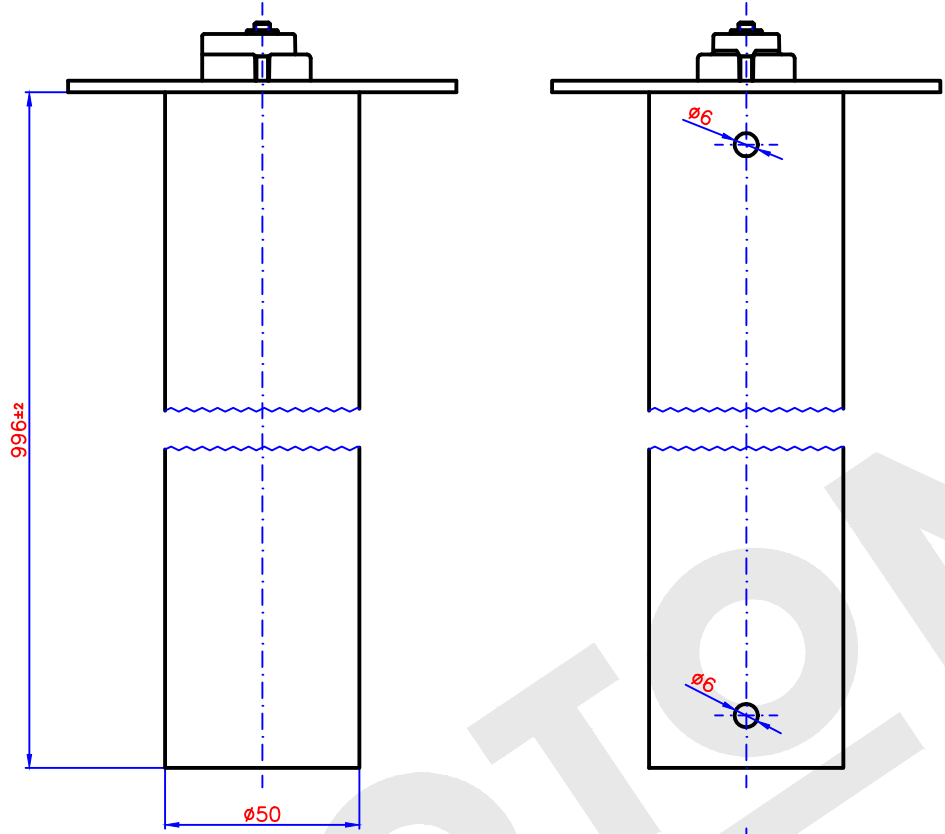


8 7 6 5 4 3 2 1

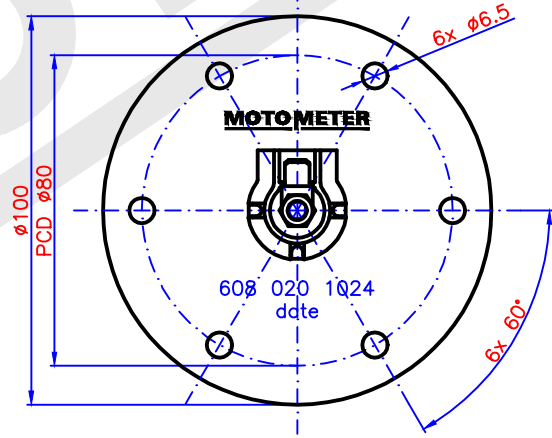
nominal load : P_{max}=300mW
 operating temperature : -40 ... +85°C (max. 95°C max 1h)
 usefull for : diesel (DIN EN 590)
 arctic diesel
 RME (DIN V 51606)
 gasoline
 kerosine
 methanol
 ethanol

marking : part number, manufacture date, MM-logo
 material : stainless steel 1.4401
 electrical connection : blade terminal A 6.3x0.8 DIN 46244
 installing diameter : 55±1mm
 included : rubber seal
 mounting at the tank according connection B DIN 75612



testing value table
 (operating values)Ⓞ

H (mm)	R (Ω)
>948	1.0
948	2.3
927	3.6
906	4.9
885	6.2
864	7.5
843	8.8
822	10.1
801	11.4
780	12.7
759	14.0
738	15.3
717	16.6
696	17.9
675	19.2
654	20.5
633	21.8
612	23.1
591	24.4
570	25.7
549	27.0
528	28.3
507	29.6
486	30.9
465	32.2
444	33.5
423	34.8
402	36.1
381	37.4
360	38.7
339	40.0
318	41.3
297	42.6
276	43.9
255	45.2
234	46.5
213	47.8
192	49.1
171	50.4
150	51.7
129	53.0
108	54.5
87	56.0
66	57.5
45	59.0
tolerance	
±5	±(1.0+1.5%)



A3-D4	Ⓞ	testing value table added	31.01.18	Aug
pos.	ind.	kind of modification	date	name

MOTOMETER	date	21.04.17
	sig.	Augustin
	rev.	
for dimensions without tolerance indication: DIN ISO 2768 mittel	pass.	
customer number:		

description:
fuel level sensor
 PCD ø80 996mm

scale:	drawing number:
-	608 020 1024

8 7 6 5 4 3 2 1