

8 7 6 5 4 3 2 1

F

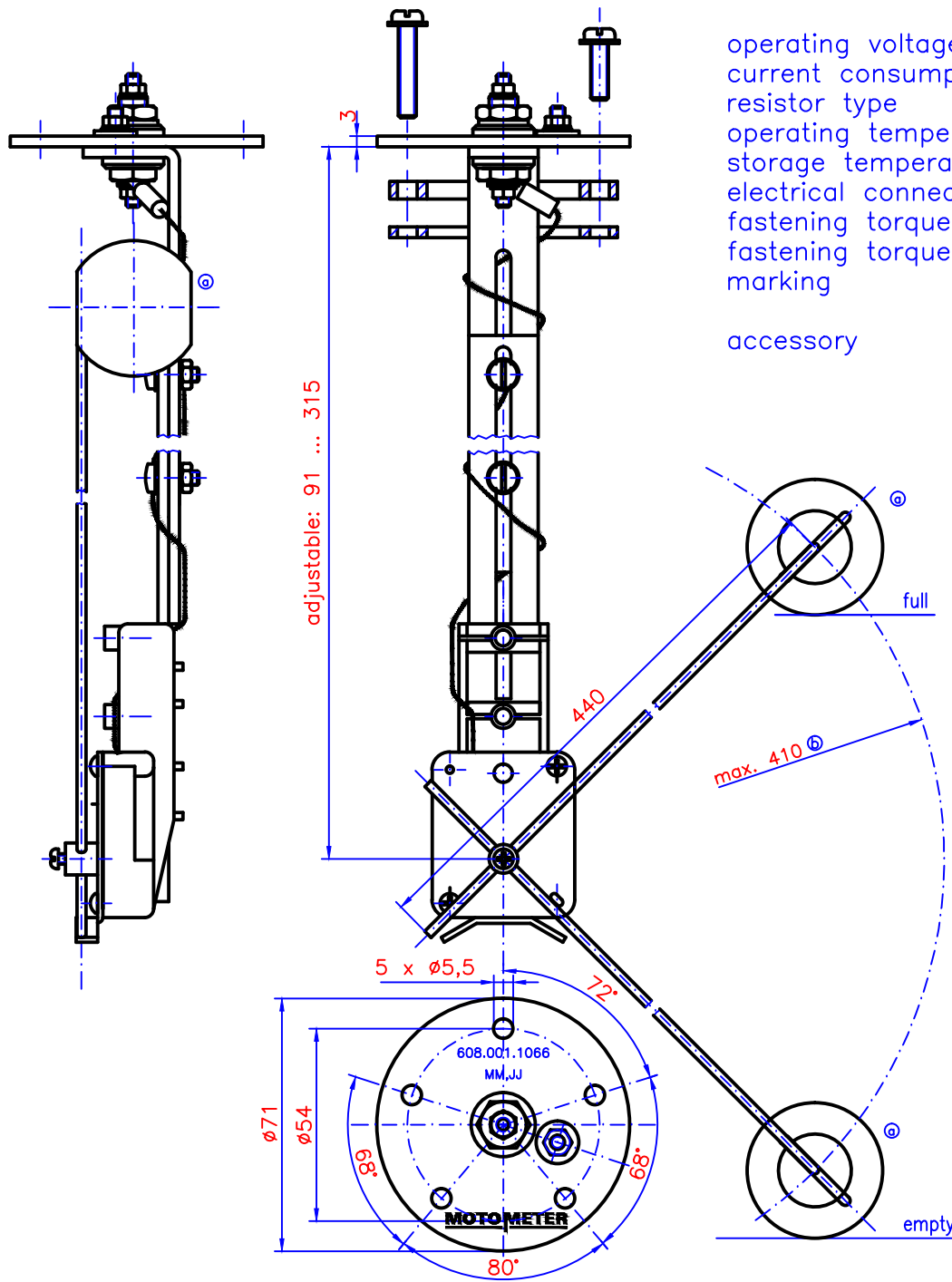
E

D

C

B

A



operating voltage : 6 ... 24V  
 current consumption : max. 20mA<sup>ⓐ</sup>  
 resistor type : wire-wound<sup>ⓐ</sup>  
 operating temperature : -40 ... +65°C  
 storage temperature : -40 ... +65°C max. 85°C (max. 1h)  
 electrical connection : 2 x nut M4 SW7  
 fastening torque flange : max. 5Nm  
 fastening torque connection : max. 1Nm  
 marking : MM-logo, part number, manufacturer date stamped at the flange  
 accessory : rubberseal, metal flange,  
 1 x screw M5x28mm,  
 4 x screw M5x16mm,  
 5 x washer 5x10mm

testing value table (operating values)

fill level	empty	full
compared resistance (Ω)	3	180
tolerance (Ω)	±3	+12 -2

F2-5	ⓐ	resistor type added	31.03.15	Aug
A1-2	ⓐ	text changed	29.10.14	Aug
E3-5	ⓐ	current consumption and fastening torque added	23.11.11	Aug
C4-5	ⓑ	lever max. length changed	21.07.11	Aug
A-D3-B	ⓐ	float changed	29.05.09	Aug
pos.	ind.	kind of modification	date	name

substitute for drawing no. K 608.001.1066 from 18.09.05

<b>MOTOMETER</b>	date	11.08.08
	sig.	Augustin
	rev.	
	pass.	
for dimensions without tolerance indication: DIN 7168 mittel		
customer number:		

description:  
**lever sensor**  
 justable 150 ... 600mm<sup>ⓐ</sup>

scale:	drawing number:
1:2	608 001 1066

8 7 6 5 4 3 2 1

F

E

D

C

B

A